

FLO-DAR™



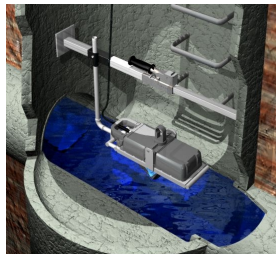
**Flo-Dar™
Sensor Mounts**

**Portable
Installations**

**Permanent
Installations**

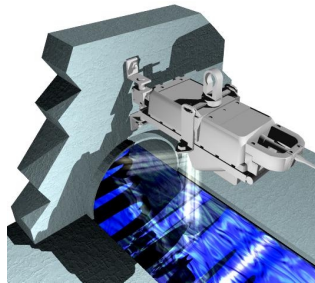
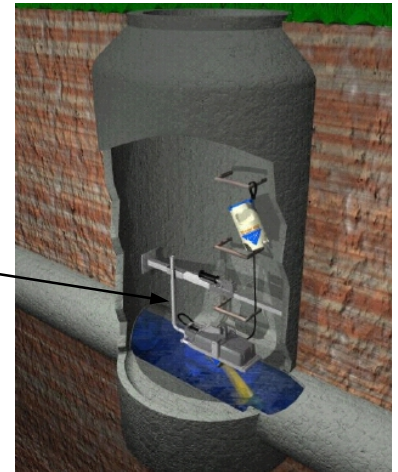
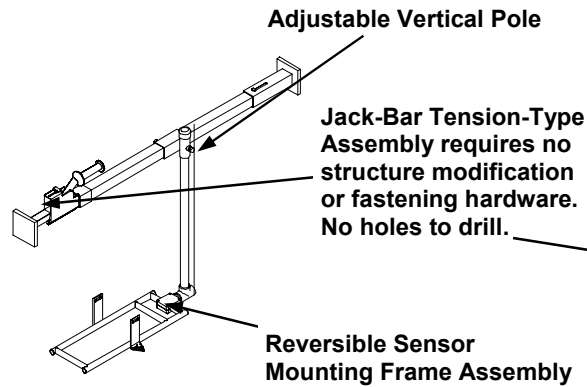


Marsh-McBirney, Inc.
4539 Metropolitan Court
Frederick, MD 21704
301 874 5599
800 368 2723
FAX 301 874 2172
www.marsh-mcBirney.com



Temporary Sensor Mount for Portable Flow Monitoring

The Temporary Flo-Dar™ Sensor Mount is the ideal choice when portable, site-to-site or short term flow monitoring is desired. Designed for the rugged sewer environment, this tension-type mount is configured to mount directly inside various size manholes and is constructed of galvanized and stainless steel. The mount consists of a jack-bar assembly, reversible frame assembly and an adjustable vertical pole. The mount requires no additional fastening hardware or manhole (structure) modification. Angular adjustment of the reversible sensor frame directly above the flow is easily accomplished to ensure accurate flow measurements.



Permanent Sensor Mount for Long-Term Flow Monitoring

The permanent Flo-Dar™ sensor mount is the ideal choice when permanent or long-term flow monitoring is desired. Designed for the rugged sewer environment, this mount is configured to mount directly to the structure by means of fastening hardware. A *one-time* manhole entry is required for mounting hardware installation only. After the initial installation of the mounting hardware, the sensor can be easily retrieved and re-installed by means of the sensor installation/retrieval tool, eliminating confined space entry.

